



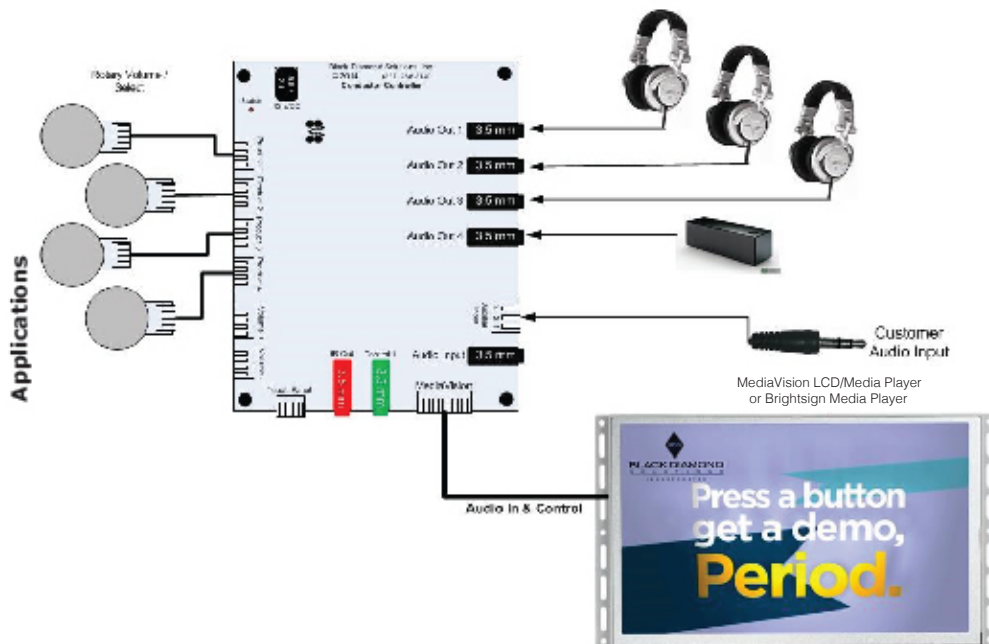
AUDIO SWITCHER

Conductor 4 from Black Diamond Solutions is a BrightSign accessory designed specifically for merchandising applications that features both line level and headphone level output. It has 4 independent audio outputs and 2 audio inputs; button and rotary encoder inputs; and features customizable functionality. Pushbutton or proximity touch button control is also available as well as touch panel or rotary encoder control. Conductor 4 can also be integrated with a media player for content and volume control.

- 4 Independent audio outputs
- 2 Audio inputs
- Button & Rotary Encoder inputs
- Controls other products
- Customizable functionality
- Built in Audio Player (Optional)



APPLICATIONS



FEATURES AND SPECIFICATIONS

FEATURES

- 4 audio outputs with 4 independently controlled amplifiers
 - Push Button, Proximity Touch Button, Touch Panel or Rotary Encoder control
 - Control of products via IR or Direct Control
 - Integrates with a media player for content and volume control
 - Smart autosensing Aux Input function
 - Designed for merchandising applications
-

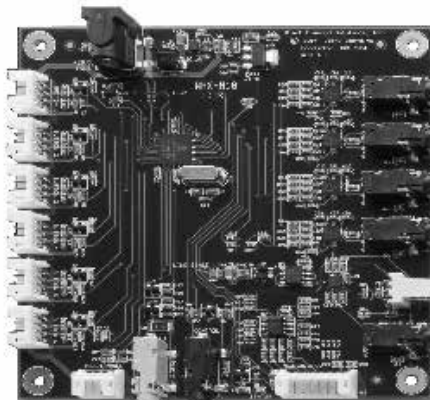
SPECIFICATIONS

- 4 Analog audio outputs
 - 2 Audio inputs, 1 with Smart Aux Input
 - Up to 6 buttons with LED's (4 input selectors, 2 volume control or media player content selecting)
 - Up to 4 Rotary Encoders
 - Supports Touch Panel operation
 - 1 IR output, 1 control output
 - Power supply: 12V
-

OPTIONS



MECHANICAL



Dimensions: L = 4", W = 4", H = .5"